

**Tree Protection Fencing Specification**

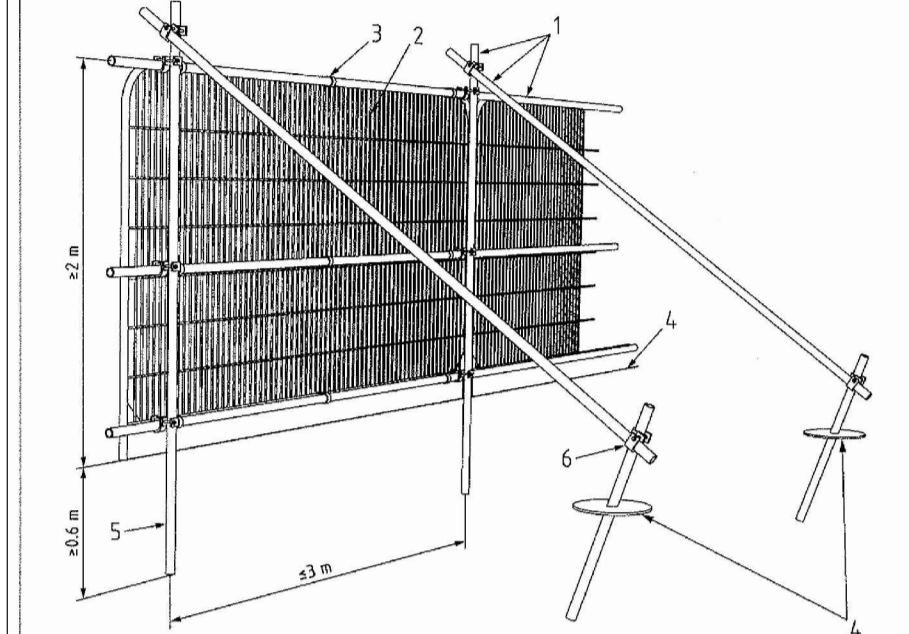
- i) All the trees to be retained on site are to be protected by fencing as per BS5837: 2012.
- ii) The fence shall be installed no closer than shown on this drawing.
- iii) The area beneath the tree and between the trunk of the tree and the fence will be kept clear and undisturbed at all times. No materials shall be stored within the fenced area; the levels of the land within the fenced area shall not be altered, and no seepage of oils, fuels or chemicals (including cement and cement washings) which may be harmful to trees shall be allowed onto the fenced area.
- iv) No trenches for service runs, or any other excavations shall take place within the fenced area.
- v) No soil or other surface material shall be removed from the fenced area.
- vi) No fixing made to any tree, and all possible precautions taken to prevent damage to tree roots when locating posts.

**Note**

Tree protection areas identified around existing trees retained. Areas hatched grey represent a 'construction exclusion zone' where tracking of plant, materials storage and other construction activities etc. are excluded for purposes of protecting tree health.

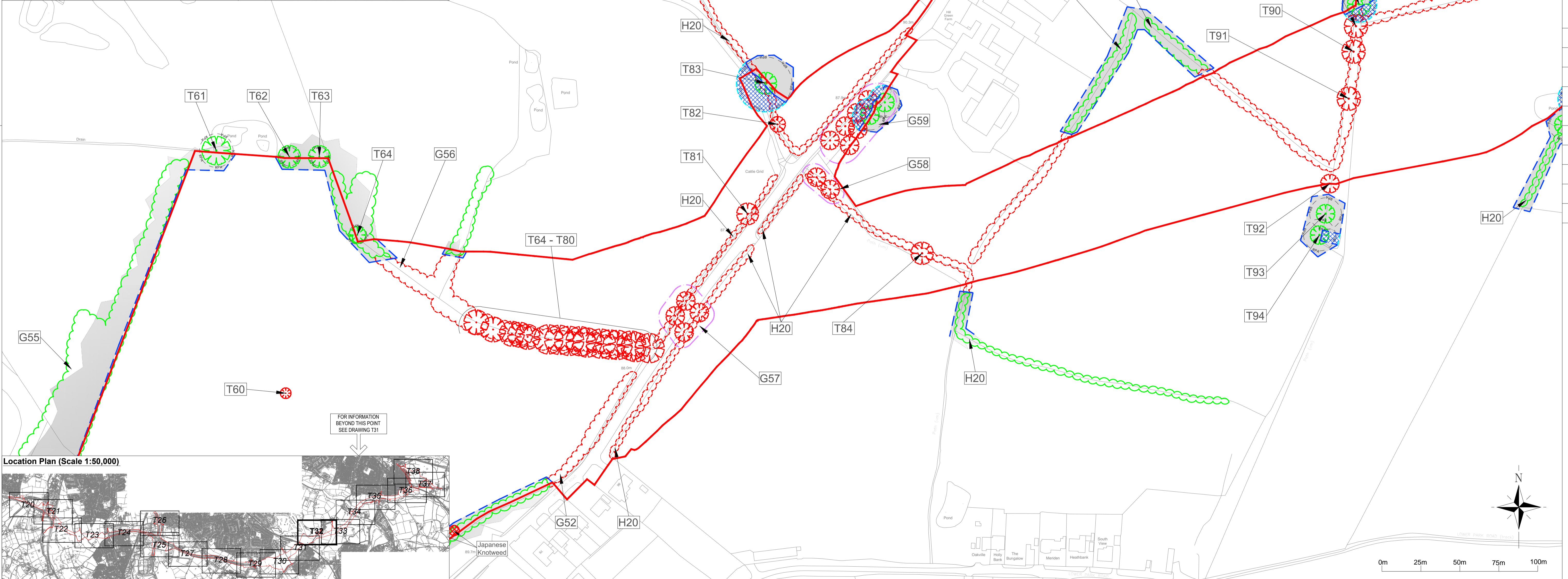
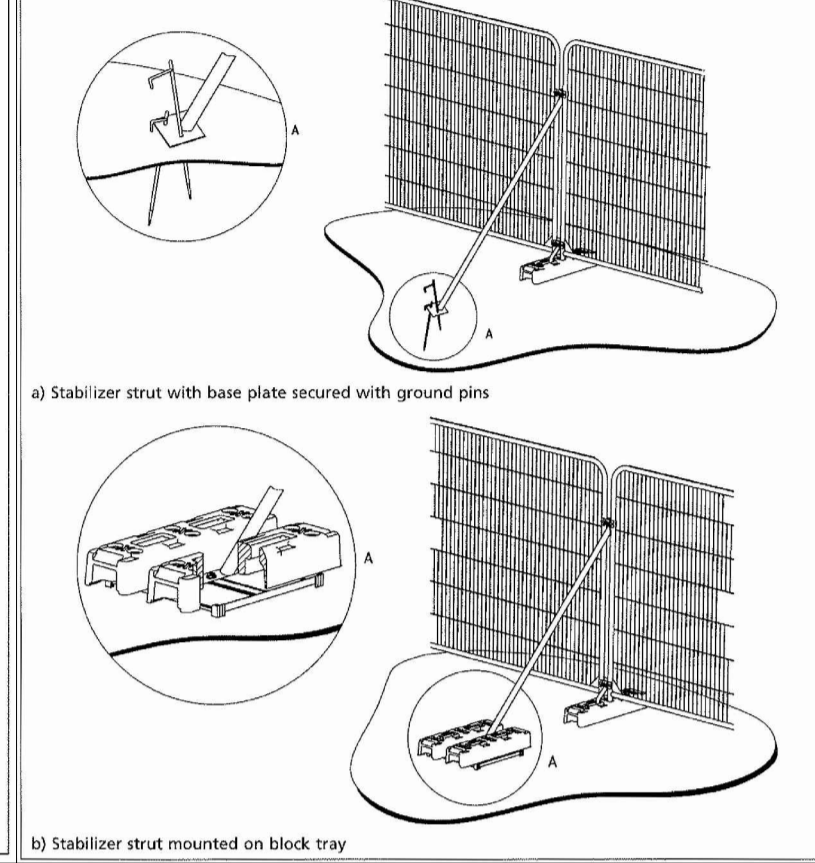
Managed construction processes and construction working areas within the RPAs and/or canopy spreads of existing retained trees will be permitted and include the temporary displacement of protection fencing for this purpose. In such areas, (blue cross-hatched) all works to be managed in accordance with guidance contained within URS Tree Survey Report.

Figure 2 Default specification for protective barrier

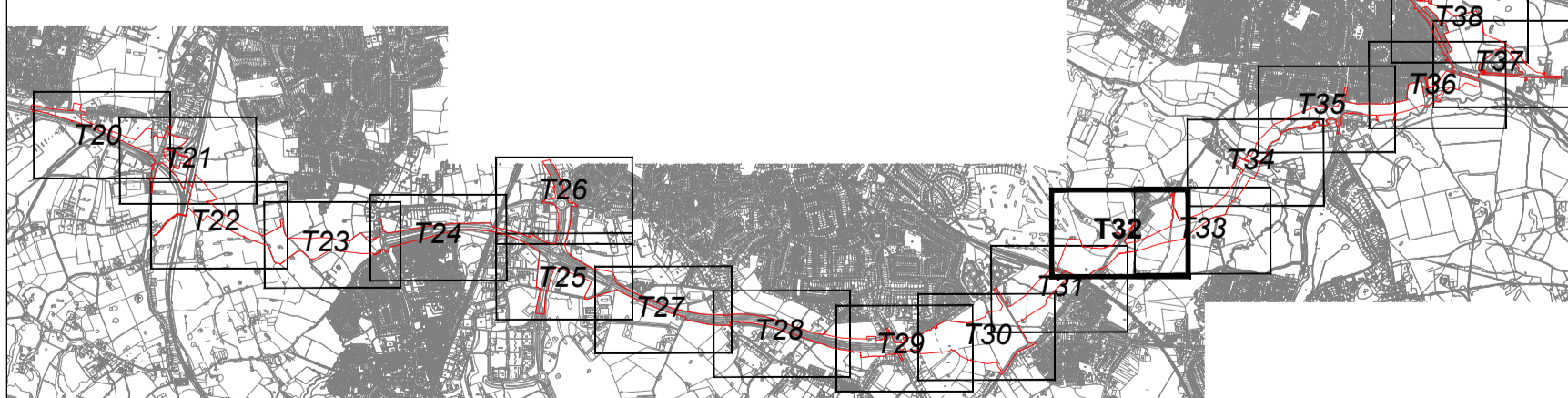


- Key**
- 1 Standard scaffold poles
  - 2 Heavy gauge 2 m tall galvanized tube and welded mesh infill panels
  - 3 Panels secured to uprights and cross-members with wire ties
  - 4 Ground level
  - 5 Uprights driven into the ground until secure (minimum depth 0.6 m)
  - 6 Standard scaffold clamps

Figure 3 Examples of above-ground stabilizing systems



Location Plan (Scale 1:50,000)



Planned	CC/TA	15/10/13	B
Planned	CC/TA	23/09/13	A
By	Date	Suffix	
Check			

**LEGEND**

- EXISTING RETAINED TREE, GROUP OR HEDGE
- EXISTING TREE, GROUP OR HEDGE TO BE REMOVED. (WHERE TREES ARE SHOWN TO BE REMOVED FALL WITHIN TREE PROTECTION FENCING AREA THESE TREES MAY BE COPICED AT GROUND LEVEL & ROOTS TO REMAIN OTHERWISE UNDISTURBED)
- TREE PROTECTION FENCING & CONSTRUCTION EXCLUSION ZONE (SEE NOTES FOR FENCING DETAIL & SPECIFICATION)
- CONSTRUCTION WORKING AREAS, ARBORICULTURAL METHOD STATEMENT & TARGET NOTE
- INDICATES ROOT PROTECTION AREAS - AS DEFINED BY BS 5837:2012
- PLANNING BOUNDARY
- EXTENT OF GROUPED TREES OR OTHER ARBOREAL FEATURES

Note: Plans to be read in conjunction with URS Tree Survey Report

Job Title  
**A6 TO MANCHESTER AIRPORT RELIEF ROAD**

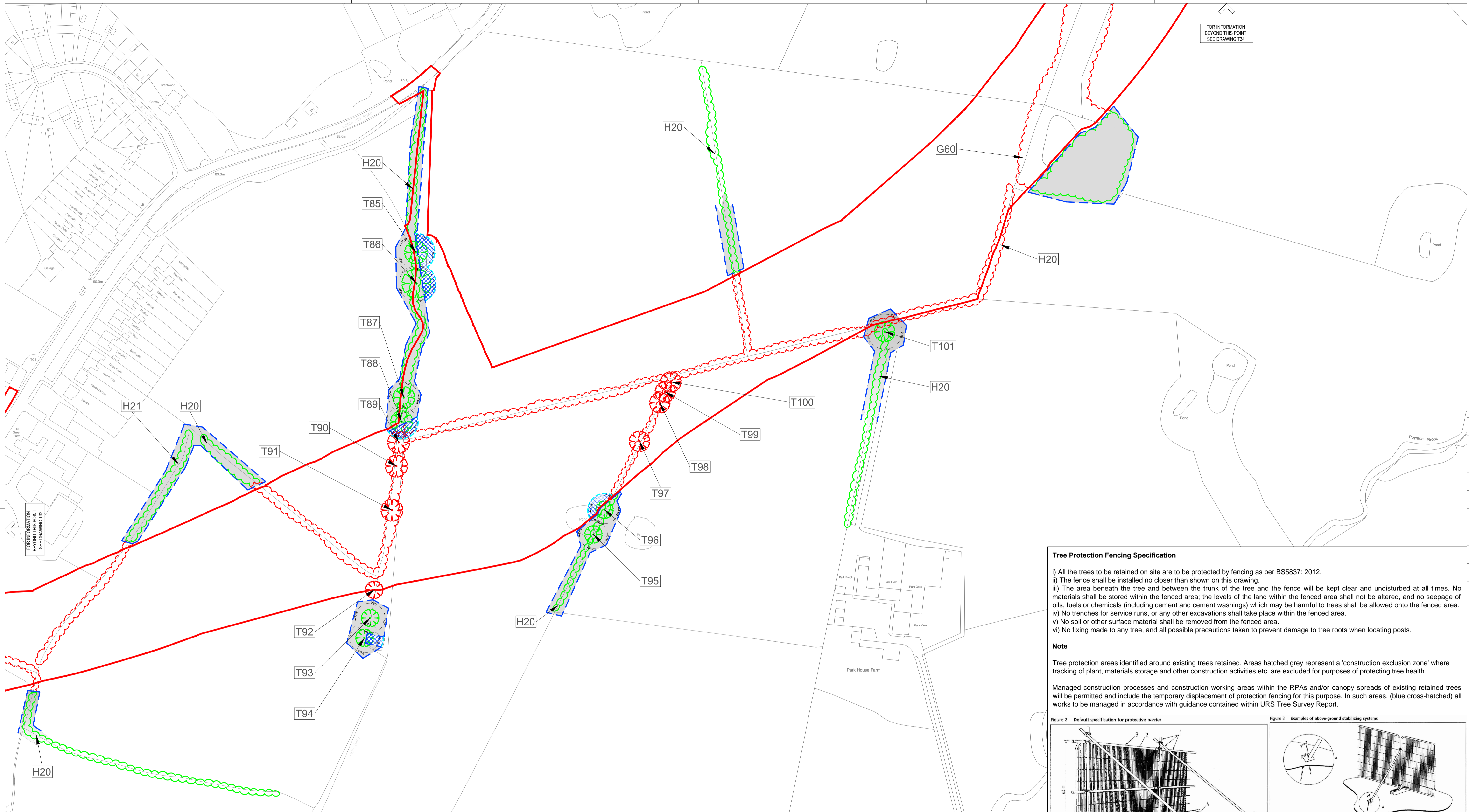
Drawing Title  
**TREE PROTECTION PLAN (SHEET 13 OF 19)**

Scale at A1 1:1250 (or as shown)		Approved AK		URS Infrastructure & Environment UK Limited 4th Floor, Bridgegate House Whitworth Street Manchester, M1 6LT United Kingdom T +44 (0)161 275 9500 F +44 (0)161 275 9505 www.ursinfra.com	
Drawn CCC	Stage 1 check TA	Stage 2 check PLY LAND	Date 09/09/13	Drawing Number <b>47064524 - T32</b>	Rev <b>B</b>

THIS DRAWING MAY BE USED ONLY FOR THE PURPOSE INTENDED AND ONLY WRITTEN DIMENSIONS SHALL BE USED

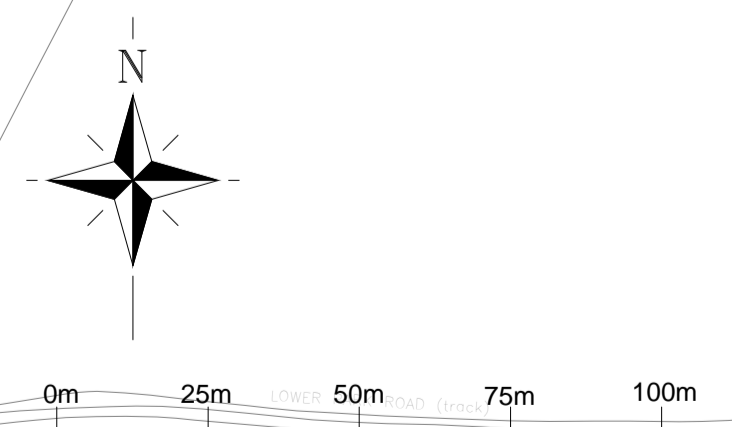
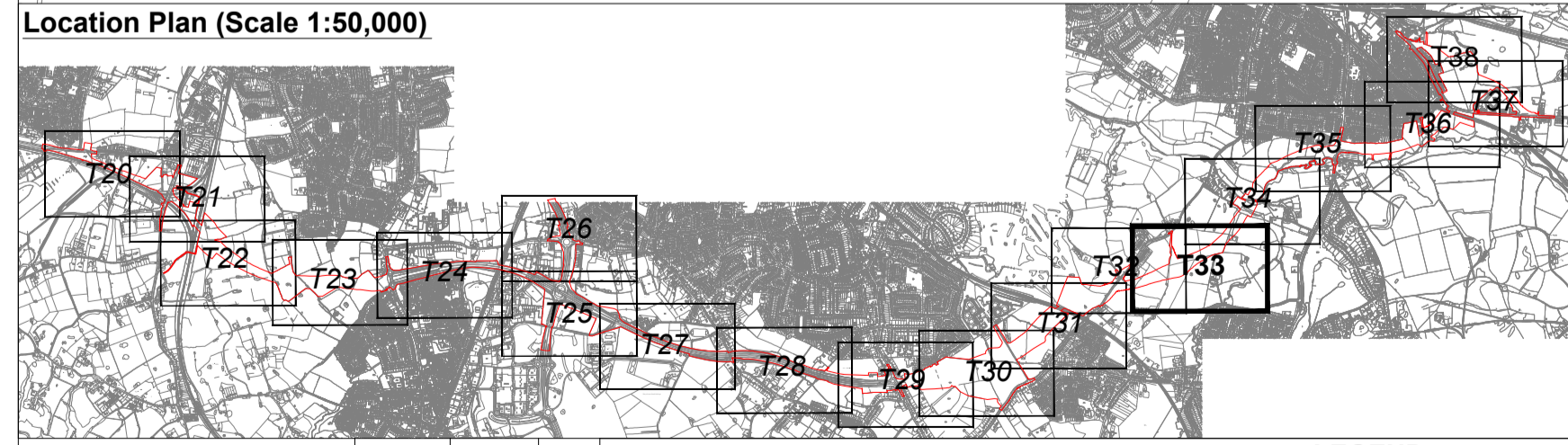
Plot Date : 47064524 - TREE SURVEY PLAN

DB1H



FOR INFORMATION BEYOND THIS POINT SEE DRAWING T34

FOR INFORMATION BEYOND THIS POINT SEE DRAWING T32



Plans updated with new red line planning boundary	CC/TA	15/10/13	B
Plans updated with new red line planning boundary	CC/TA	23/09/13	A
Revision Details	By	Date	Suffix
Check			
Drawing Status	PLANNING		

**LEGEND**

- EXISTING RETAINED TREE, GROUP OR HEDGE
- EXISTING TREE, GROUP OR HEDGE TO BE REMOVED. (WHERE TREES ARE SHOWN TO BE REMOVED FALL WITHIN TREE PROTECTION FENCING AREA THESE TREES MAY BE COPICED AT GROUND LEVEL & ROOTS TO REMAIN OTHERWISE UNDISTURBED)
- TREE PROTECTION FENCING & CONSTRUCTION EXCLUSION ZONE (SEE NOTES FOR FENCING DETAIL & SPECIFICATION)
- CONSTRUCTION WORKING AREAS, ARBORICULTURAL METHOD STATEMENT & TARGET NOTE
- INDICATES ROOT PROTECTION AREAS - AS DEFINED BY BS 5837:2012
- PLANNING BOUNDARY
- EXTENT OF GROUPED TREES OR OTHER ARBOREAL FEATURES

Note: Plans to be read in conjunction with URS Tree Survey Report

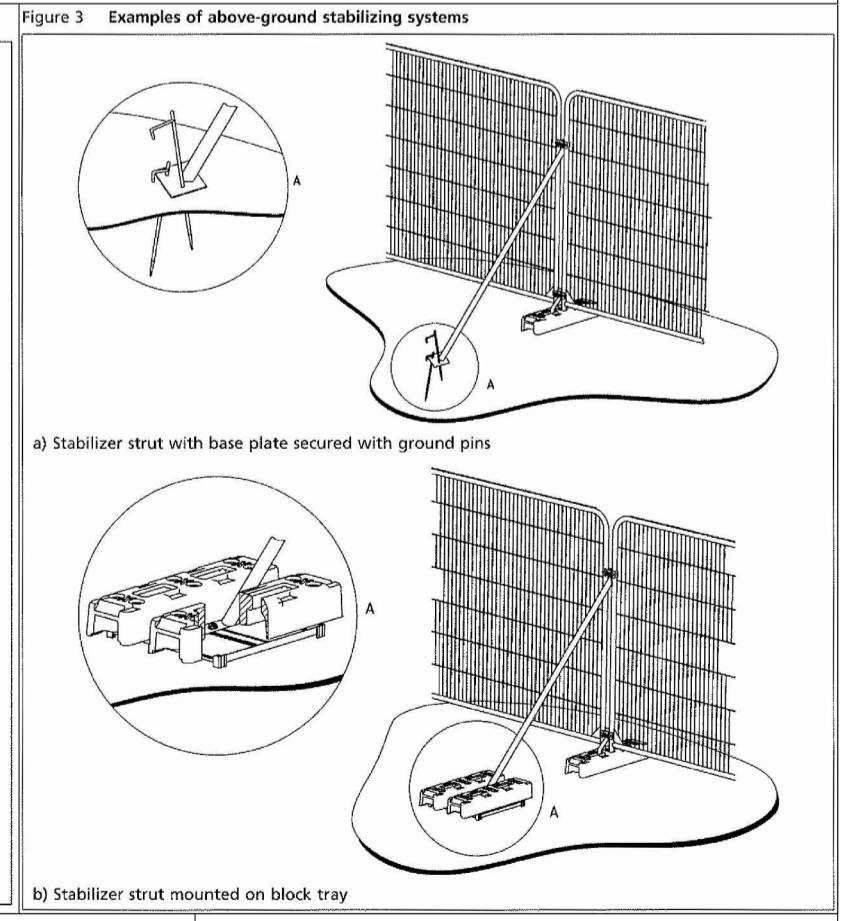
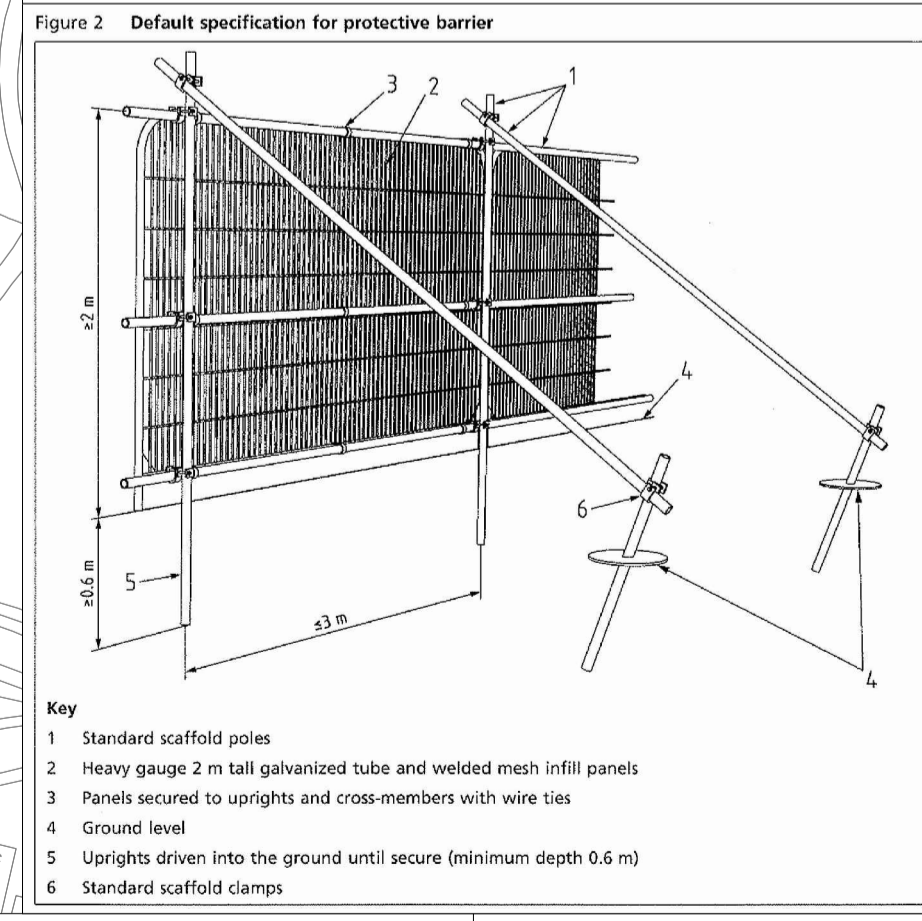
**Tree Protection Fencing Specification**

- i) All the trees to be retained on site are to be protected by fencing as per BS5837: 2012.
- ii) The fence shall be installed no closer than shown on this drawing.
- iii) The area beneath the tree and between the trunk of the tree and the fence will be kept clear and undisturbed at all times. No materials shall be stored within the fenced area; the levels of the land within the fenced area shall not be altered, and no seepage of oils, fuels or chemicals (including cement and cement washings) which may be harmful to trees shall be allowed onto the fenced area.
- iv) No trenches for service runs, or any other excavations shall take place within the fenced area.
- v) No soil or other surface material shall be removed from the fenced area.
- vi) No fixing made to any tree, and all possible precautions taken to prevent damage to tree roots when locating posts.

**Note**

Tree protection areas identified around existing trees retained. Areas hatched grey represent a 'construction exclusion zone' where tracking of plant, materials storage and other construction activities etc. are excluded for purposes of protecting tree health.

Managed construction processes and construction working areas within the RPAs and/or canopy spreads of existing retained trees will be permitted and include the temporary displacement of protection fencing for this purpose. In such areas, (blue cross-hatched) all works to be managed in accordance with guidance contained within URS Tree Survey Report.



Job Title: **A6 TO MANCHESTER AIRPORT RELIEF ROAD**

Drawing Title: **TREE PROTECTION PLAN (SHEET 14 OF 19)**

Scale at A1	1:1250 (or as shown)		
Drawn	CCC	Approved	AK
Stage 1 check	TA	Originated	PLY LAND
Stage 2 check		Date	09/09/13

URS Infrastructure & Environment UK Limited  
 4th Floor, Bridgegate House  
 100 Brook Street  
 Manchester, M1 6LT  
 United Kingdom  
 T +44 (0)161 275500  
 F +44 (0)161 275505  
 www.ursinfra.com

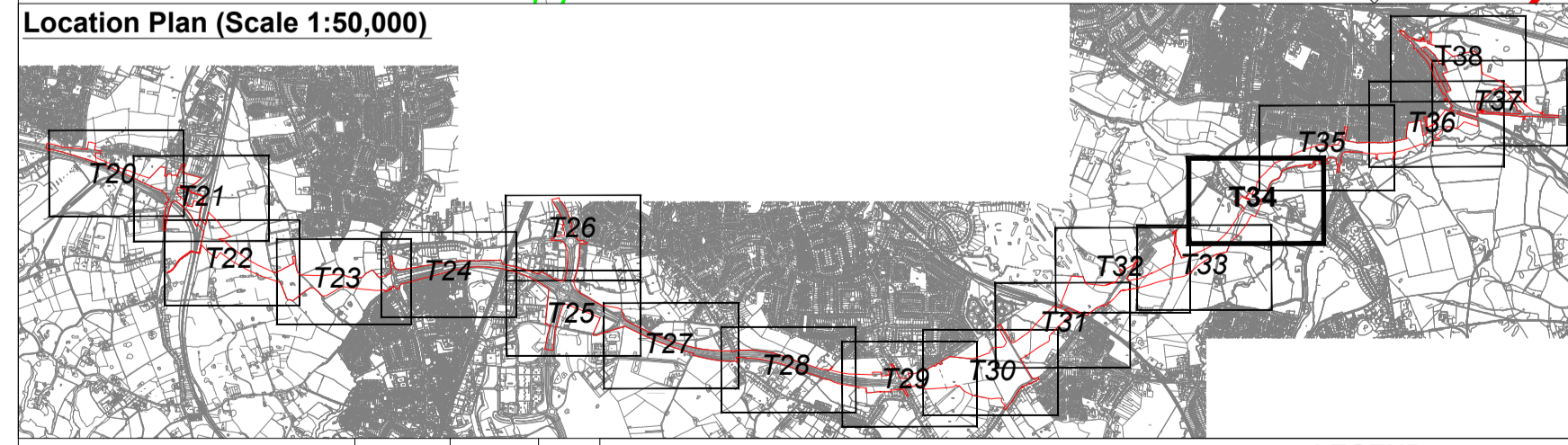
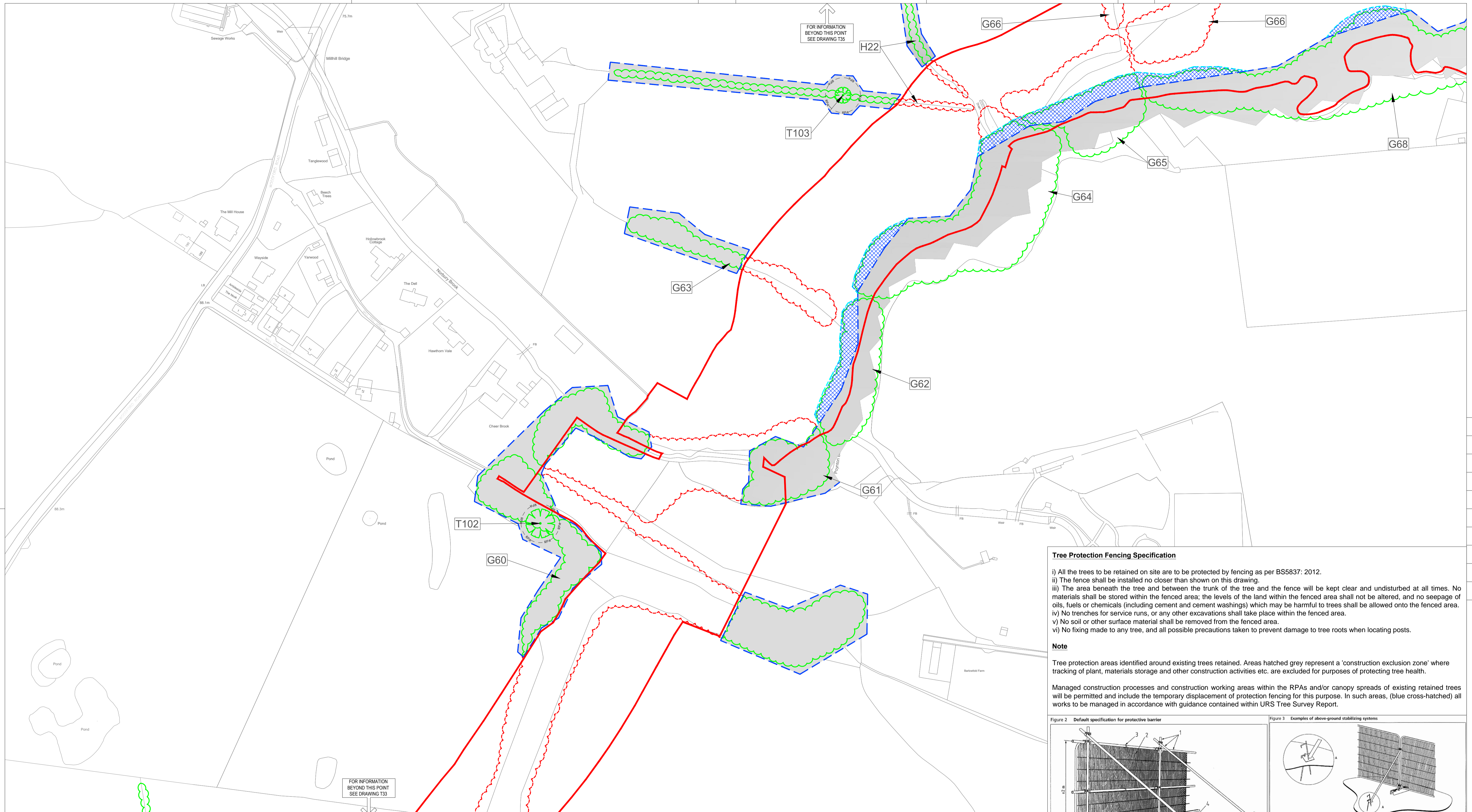
Drawing Number: **47064524 - T33**

Rev: **B**

THIS DRAWING MAY BE USED ONLY FOR THE PURPOSE INTENDED AND ONLY WRITTEN DIMENSIONS SHALL BE USED

Plot Date: 47064524 - TREE SURVEY PLAN

DB1H



Revision Details			
By	Date	Check	Suffix
CC/TA	15/10/13	B	
CC/TA	23/09/13	A	

Drawing Status	
PLANNING	

LEGEND	
	EXISTING RETAINED TREE, GROUP OR HEDGE
	EXISTING TREE, GROUP OR HEDGE TO BE REMOVED. (WHERE TREES ARE SHOWN TO BE REMOVED FALL WITHIN TREE PROTECTION FENCING AREA THESE TREES MAY BE CORPICED AT GROUND LEVEL & ROOTS TO REMAIN OTHERWISE UNDISTURBED)
	TREE PROTECTION FENCING & CONSTRUCTION EXCLUSION ZONE (SEE NOTES FOR FENCING DETAIL & SPECIFICATION)
	CONSTRUCTION WORKING AREAS, ARBORICULTURAL METHOD STATEMENT & TARGET NOTE
	INDICATES ROOT PROTECTION AREAS - AS DEFINED BY BS 5837:2012
	PLANNING BOUNDARY
	EXTENT OF GROUPED TREES OR OTHER ARBOREAL FEATURES

Job Title

Drawing Title

**A6 TO MANCHESTER AIRPORT RELIEF ROAD**

**TREE PROTECTION PLAN (SHEET 15 OF 19)**

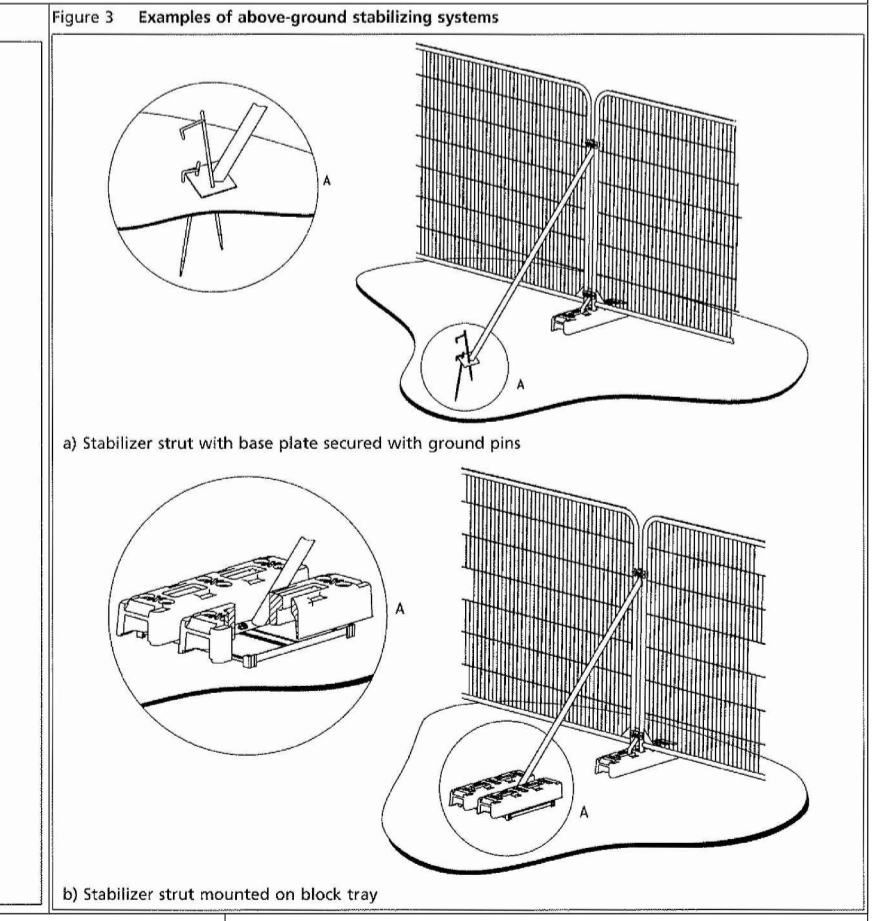
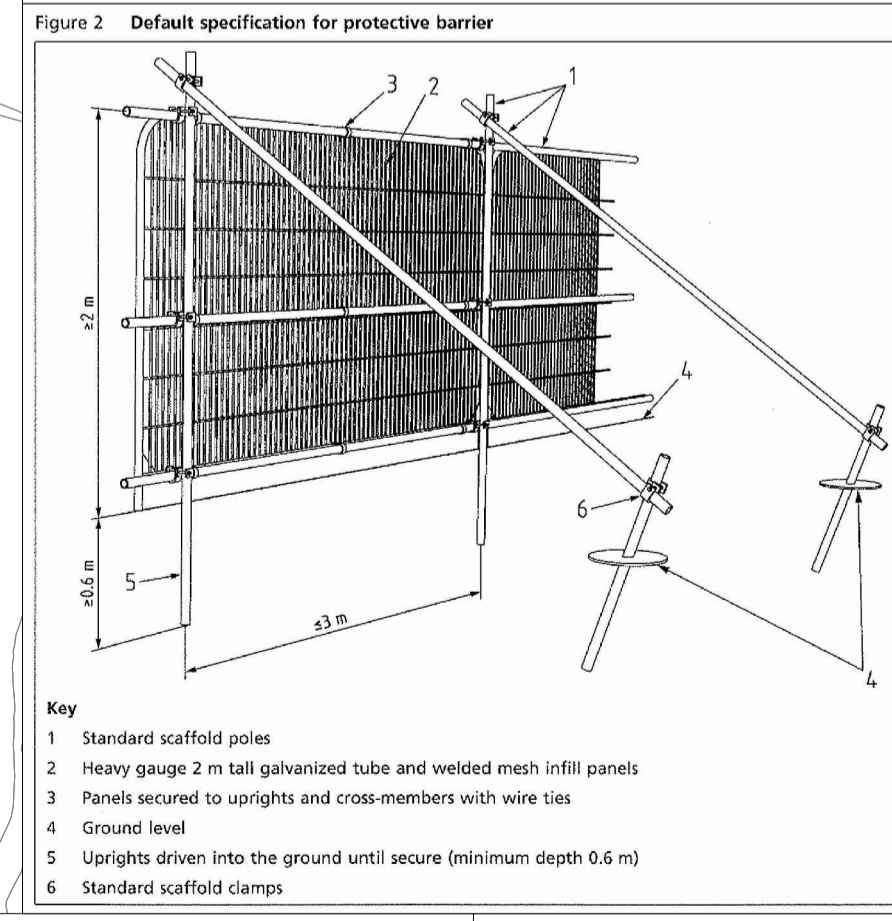
**Tree Protection Fencing Specification**

- i) All the trees to be retained on site are to be protected by fencing as per BS5837: 2012.
- ii) The fence shall be installed no closer than shown on this drawing.
- iii) The area beneath the tree and between the trunk of the tree and the fence will be kept clear and undisturbed at all times. No materials shall be stored within the fenced area; the levels of the land within the fenced area shall not be altered, and no seepage of oils, fuels or chemicals (including cement and cement washings) which may be harmful to trees shall be allowed onto the fenced area.
- iv) No trenches for service runs, or any other excavations shall take place within the fenced area.
- v) No soil or other surface material shall be removed from the fenced area.
- vi) No fixing made to any tree, and all possible precautions taken to prevent damage to tree roots when locating posts.

**Note**

Tree protection areas identified around existing trees retained. Areas hatched grey represent a 'construction exclusion zone' where tracking of plant, materials storage and other construction activities etc. are excluded for purposes of protecting tree health.

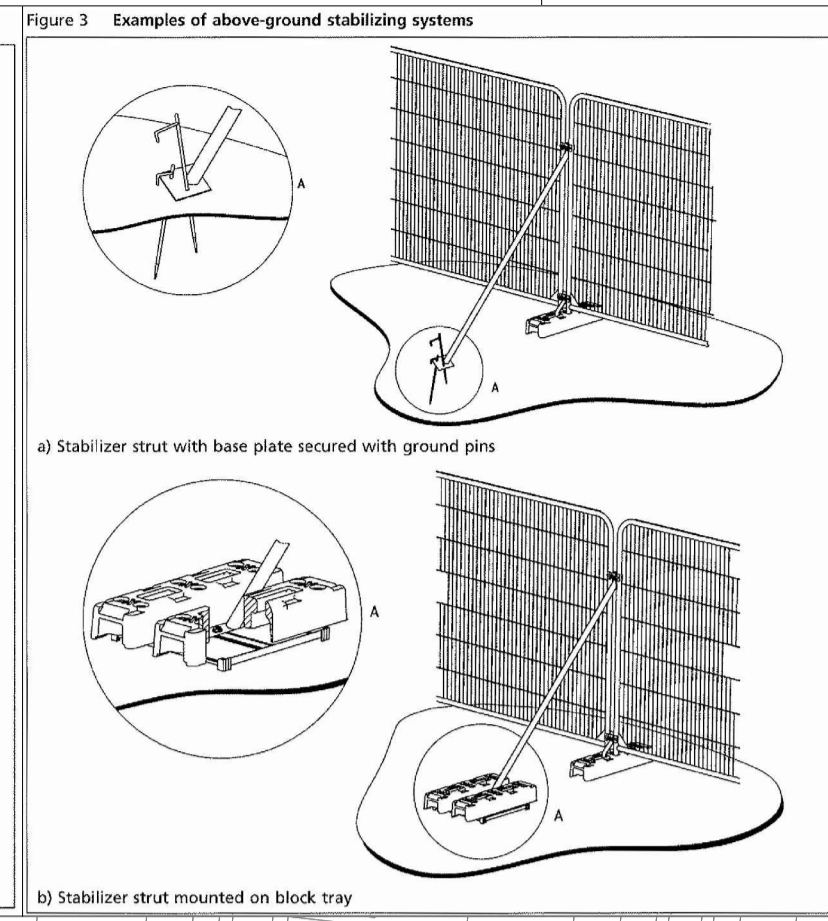
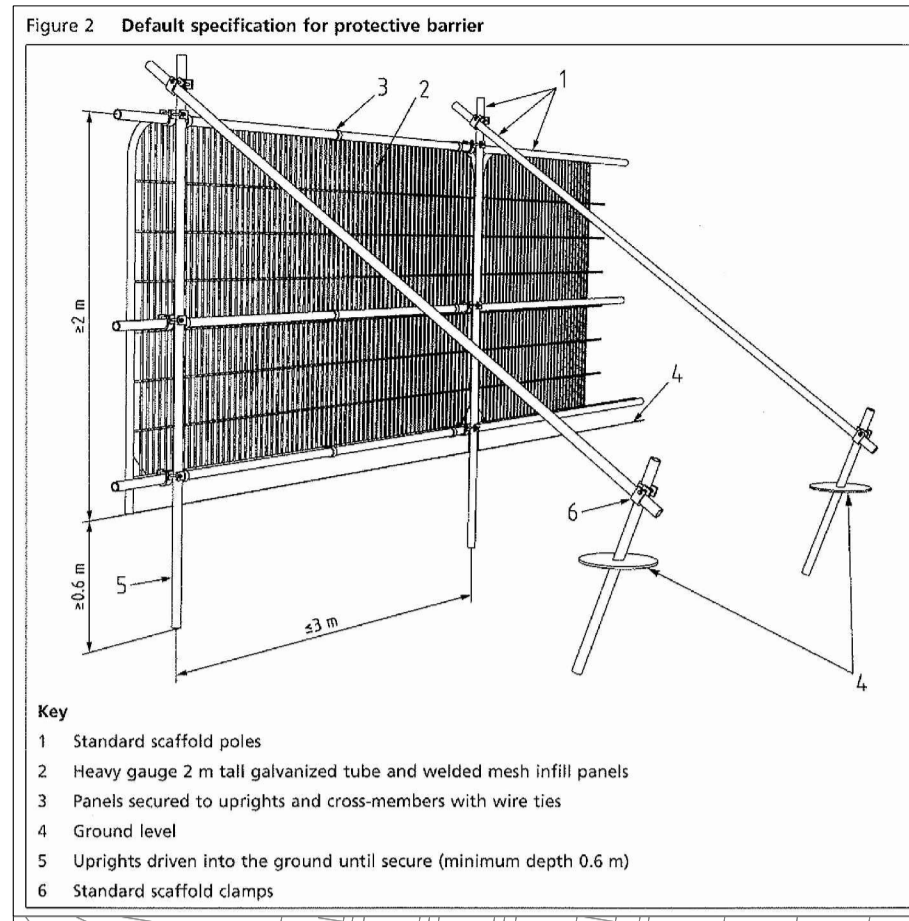
Managed construction processes and construction working areas within the RPAs and/or canopy spreads of existing retained trees will be permitted and include the temporary displacement of protection fencing for this purpose. In such areas, (blue cross-hatched) all works to be managed in accordance with guidance contained within URS Tree Survey Report.



Scale at A1		Approved		URS Infrastructure & Environment UK Limited	
1:1250 (or as shown)	AK	4th Floor, Bridgewater House	Wolverhampton	West Midlands	WV1 1LJ
Drawn	CCC	4th Floor, Bridgewater House	Wolverhampton	West Midlands	WV1 1LJ
Stage 1 check	TA	Originated	Date	09/09/13	
THIS DRAWING MAY BE USED ONLY FOR THE PURPOSE INTENDED AND ONLY WRITTEN DIMENSIONS SHALL BE USED		Drawing Number		47064524 - T34	
		Rev		B	

Plot Date : 47064524 - TREE SURVEY PLAN

DB1H



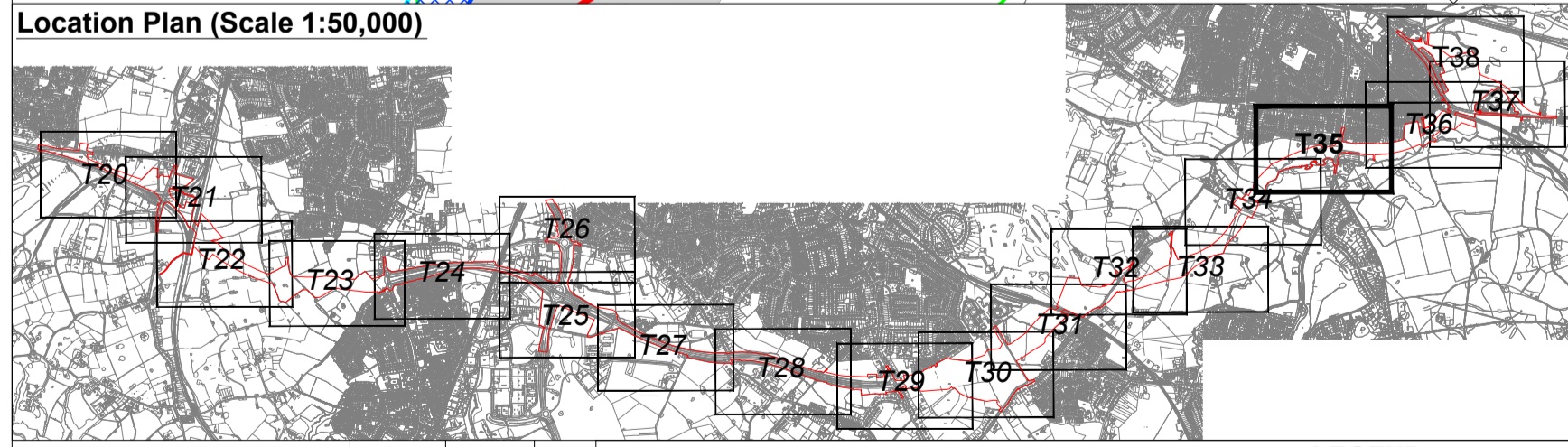
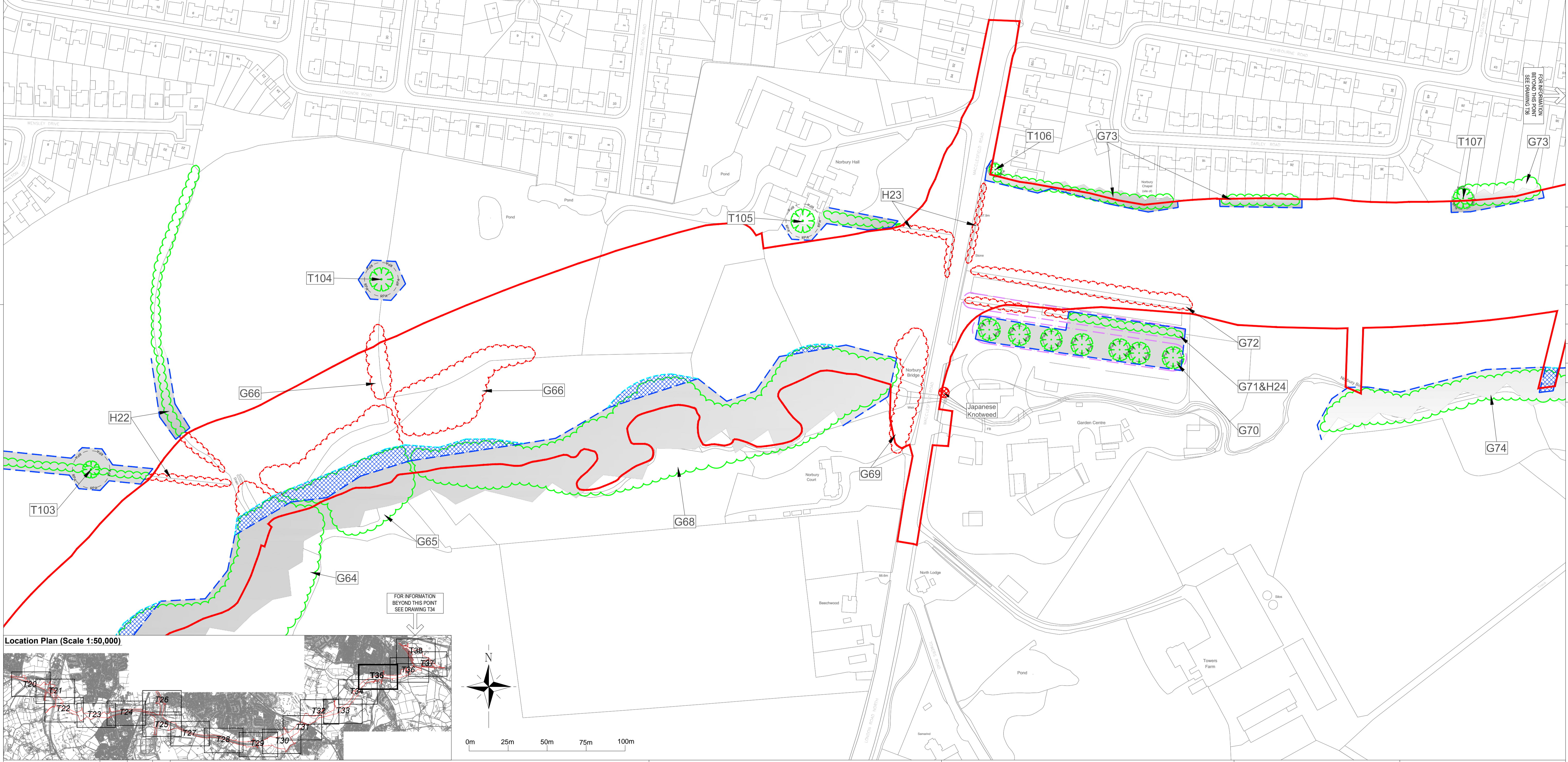
**Tree Protection Fencing Specification**

i) All the trees to be retained on site are to be protected by fencing as per BS5837: 2012.  
 ii) The fence shall be installed no closer than shown on this drawing.  
 iii) The area beneath the tree and between the trunk of the tree and the fence will be kept clear and undisturbed at all times. No materials shall be stored within the fenced area; the levels of the land within the fenced area shall not be altered, and no seepage of oils, fuels or chemicals (including cement and cement washings) which may be harmful to trees shall be allowed onto the fenced area.  
 iv) No trenches for service runs, or any other excavations shall take place within the fenced area.  
 v) No soil or other surface material shall be removed from the fenced area.  
 vi) No fixing made to any tree, and all possible precautions taken to prevent damage to tree roots when locating posts.

**Note**

Tree protection areas identified around existing trees retained. Areas hatched grey represent a 'construction exclusion zone' where tracking of plant, materials storage and other construction activities etc. are excluded for purposes of protecting tree health.

Managed construction processes and construction working areas within the RPAs and/or canopy spreads of existing retained trees will be permitted and include the temporary displacement of protection fencing for this purpose. In such areas, (blue cross-hatched) all works to be managed in accordance with guidance contained within URS Tree Survey Report.



Revision Details			
By	Date	Check	Suffix
CC/TA	15/10/13	B	
CC/TA	23/09/13	A	

**LEGEND**

- EXISTING RETAINED TREE, GROUP OR HEDGE
- EXISTING TREE, GROUP OR HEDGE TO BE REMOVED. (WHERE TREES ARE SHOWN TO BE REMOVED FALL WITHIN TREE PROTECTION FENCING AREA THESE TREES MAY BE COPICED AT GROUND LEVEL & ROOTS TO REMAIN OTHERWISE UNDISTURBED)
- TREE PROTECTION FENCING & CONSTRUCTION EXCLUSION ZONE (SEE NOTES FOR FENCING DETAIL & SPECIFICATION)
- CONSTRUCTION WORKING AREAS, ARBORICULTURAL METHOD STATEMENT & TARGET NOTE
- INDICATES ROOT PROTECTION AREAS - AS DEFINED BY BS 5837:2012
- EXTENT OF GROUPED TREES OR OTHER ARBOREAL FEATURES
- PLANNING BOUNDARY

Note: Plans to be read in conjunction with URS Tree Survey Report

Job Title: **A6 TO MANCHESTER AIRPORT RELIEF ROAD**

Drawing Title: **TREE PROTECTION PLAN (SHEET 16 OF 19)**

Scale at A1: 1:1250 (or as shown)

Drawn: CCC	Approved: AK
Stage 1 check: TA	Stage 2 check: Originated PLY LAND
Date: 09/09/13	

URS Infrastructure & Environment UK Limited  
 4th Floor, Bridgewater House  
 Wilton Road  
 Manchester, M1 6LT  
 United Kingdom  
 T +44 (0)161 975900  
 F +44 (0)161 975909  
 www.ursinfra.com

THIS DRAWING MAY BE USED ONLY FOR THE PURPOSE INTENDED AND ONLY WRITTEN DIMENSIONS SHALL BE USED

Drawing Number: **47064524 - T35**

Rev: **B**

Plot Date: 47064524 - TREE SURVEY PLAN

DB1H